

ENVIROFLEX® - L15 (1/2")

SALES & ENGINEERING DATA SHEET



Highlights

- Extended hose life and significant power savings when compared to other Peristaltic pumps
- Essentially one wearing part means low maintenance and low spares inventory
- Ideal for corrosive environments with casing options in 304 or 316 stainless steel with a wide variety of hose materials
- Accurate, controllable and reversible flow rate means easy integration with your process requirements
- Excellent dry run, solids & sludge handling capabilities with no check valves or expensive sealing arrangements
- Self Priming suction lift up to 9 metres maximum
- Fixed and variable speed control options available with vertical angled gearboxes and motors if required

Technical Specifications

- Maximum Working Pressure: 7.5 BarG (109 PsiG)
- Fluid Displacement Per Rev: 0.1 Litres (0.026 US Gallon)
- Maximum Continuous Working Speed: 70 RPM
- Maximum Intermittent Working Speed: 100 RPM
- Maximum Operating Temperature: 100°C (212°F)
- Maximum Soft Solids Capability: 12 mm (1/2")
- Maximum Hard Solids Capability: 2 mm (1/8")
- Maximum Suction Lift on water: 9 Metres (27 feet)
- Typical Weight (Varies with drive): 30 Kg (66 lbs)

Hose Materials

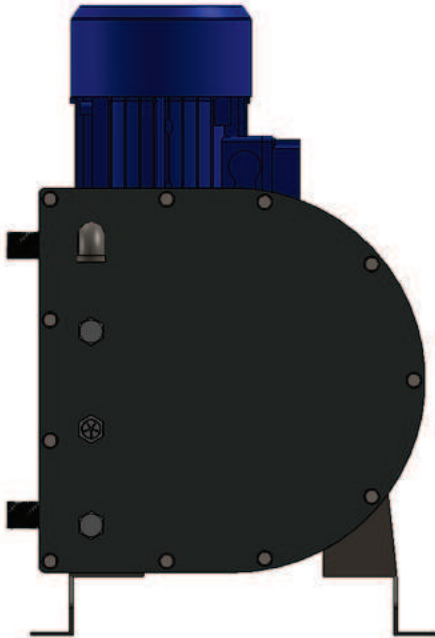
- Natural Rubber (Industrial and Food Grade)
- Nitrile Rubber (Industrial and Food Grade)
- EPDM Rubber (Industrial and Food Grade)
- CSPE Rubber
- Viton Rubber

Hose Connections

- BSPm or NPTm (standard)
- Flange PN10/ANSI
- Sanitary Connections (Tri-Clamp, DIN)
- Any Connection Can Be Supplied on Request

Hose Connection Materials

- 304 Stainless Steel (standard)
- 316 Stainless Steel
- Hastelloy-C

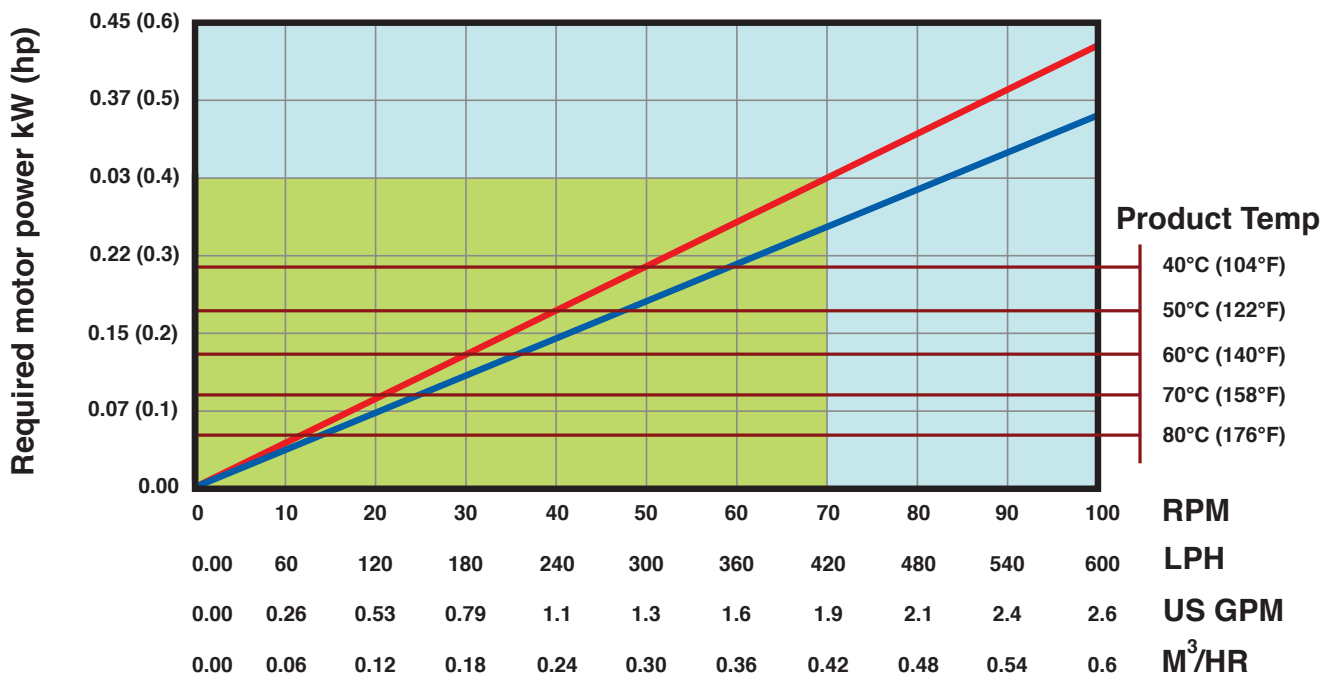


ENVIROFLEX® - L15 (1/2")

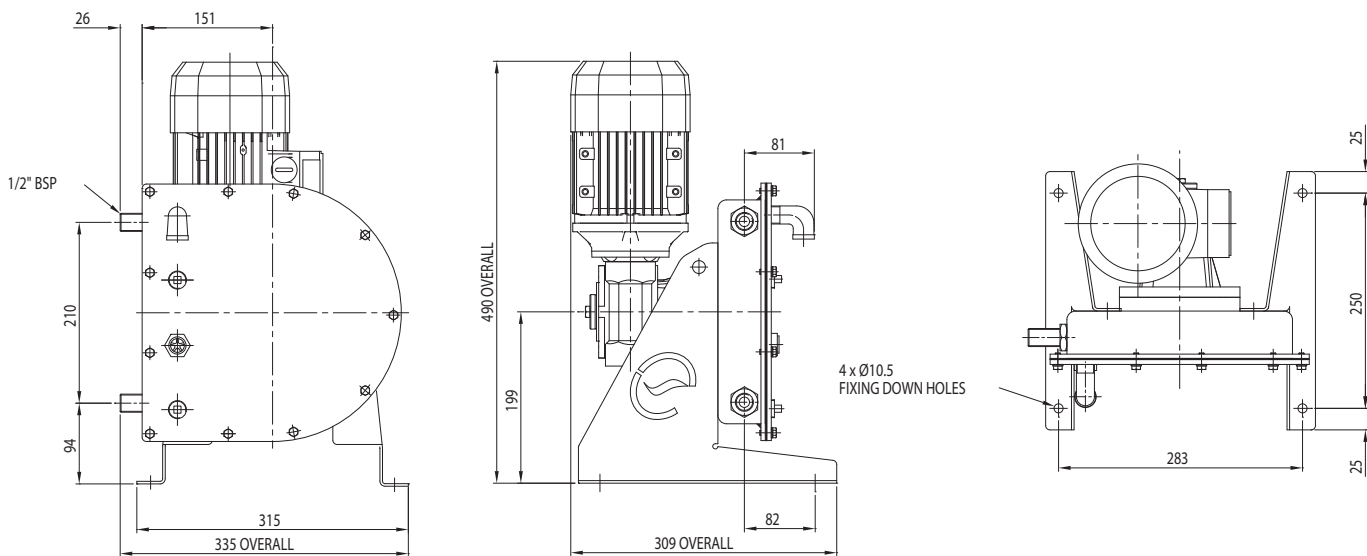
SALES & ENGINEERING DATA SHEET

Enviroflex® L15 Performance Curve

— 7.5 bar (750 KPa)
— 5 bar (500 KPa)



Continuous duty
Intermittent duty
(maximum 1 hour operation followed by 20 minute rest)



Dims: Approx. mm

