

ENVIROFLEX® - L25 (1")

SALES & ENGINEERING DATA SHEET



Highlights

- Extended hose life and significant power savings when compared to other Peristaltic pumps
- Essentially one wearing part means low maintenance and low spares inventory
- Ideal for corrosive environments with casing options in 304 or 316 stainless steel with a wide variety of hose materials
- Accurate, controllable and reversible flow rate means easy integration with your process requirements
- Excellent dry run, solids & sludge handling capabilities with no check valves or expensive sealing arrangements
- Self Priming suction lift up to 9 metres maximum
- Fixed and variable speed control options available with vertical angled gearboxes and motors if required

Technical Specifications

- Maximum Working Pressure: 10 BarG (145 PsiG)
- Fluid Displacement Per Rev: 0.41 Litres (0.108 US Gallon)
- Maximum Continuous Working Speed: 90 RPM
- Maximum Intermittent Working Speed: 100 RPM
- Maximum Operating Temperature: 100°C (212°F)
- Maximum Soft Solids Capability: 20 mm (3/4")
- Maximum Hard Solids Capability: 3.75 mm (5/32")
- Maximum Suction Lift on water: 9 Metres (27 feet)
- Typical Weight (Varies with drive): 65 Kg (143 lbs)



Hose Materials

- Natural Rubber (Industrial and Food Grade)
- Nitrile Rubber (Industrial and Food Grade)
- EPDM Rubber (Industrial and Food Grade)
- CSPE Rubber
- Viton Rubber

Hose Connections

- BSPm or NPTm (standard)
- Flange PN10/ANSI
- Sanitary Connections (Tri-Clamp, DIN)
- Any Connection Can Be Supplied on Request

Hose Connection Materials

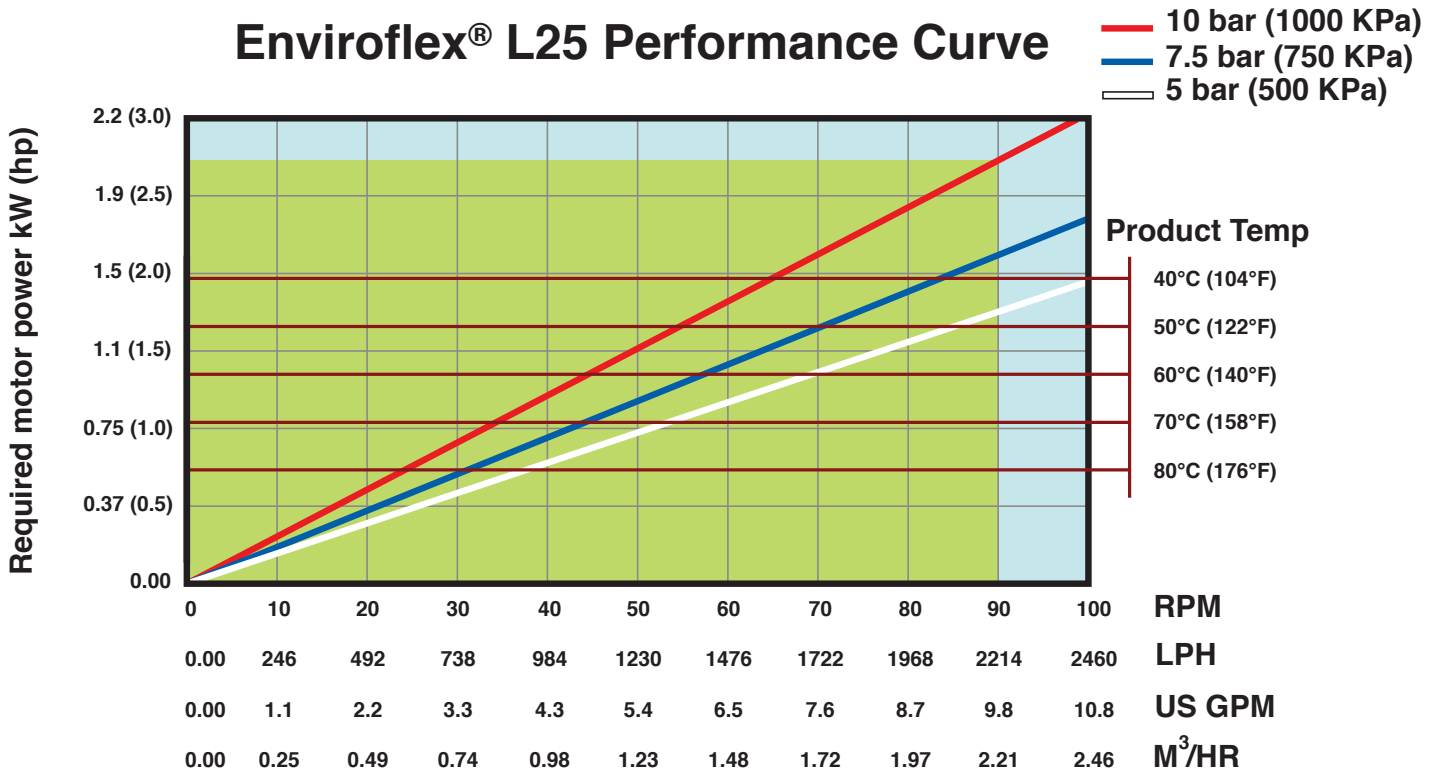
- 304 Stainless Steel (standard)
- 316 Stainless Steel
- Hastelloy-C



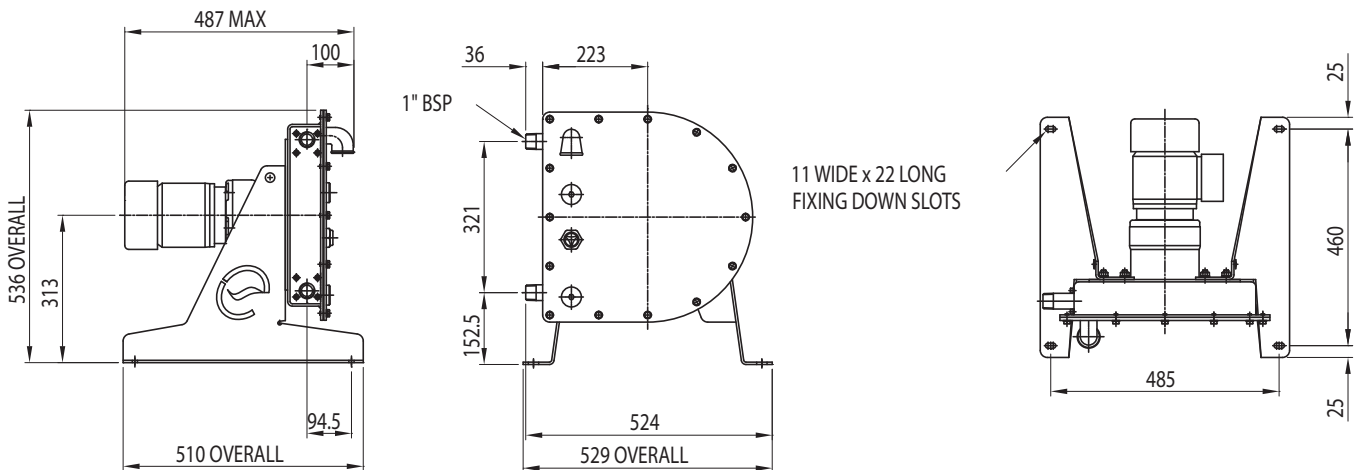
ENVIROFLEX® - L25 (1")

SALES & ENGINEERING DATA SHEET

Enviroflex® L25 Performance Curve



Continuous duty
 Intermittent duty
 (maximum 1 hour operation followed by 20 minute rest)



Dims: Approx. mm

