

# ENVIROFLEX® - L32 (1 1/4")

## SALES & ENGINEERING DATA SHEET



### Highlights

- Extended hose life and significant power savings when compared to other Peristaltic pumps
- Essentially one wearing part means low maintenance and low spares inventory
- Ideal for corrosive environments with casing options in 304 or 316 stainless steel with a wide variety of hose materials
- Accurate, controllable and reversible flow rate means easy integration with your process requirements
- Excellent dry run, solids & sludge handling capabilities with no check valves or expensive sealing arrangements
- Self Priming suction lift up to 9 metres maximum
- Fixed and variable speed control options available with vertical angled gearboxes and motors if required

### Technical Specifications

- Maximum Working Pressure: ..... 10 BarG (145 PsiG)
- Fluid Displacement Per Rev: ..... 0.95 Litres (0.251 US Gallon)
- Maximum Continuous Working Speed: ..... 70 RPM
- Maximum Intermittent Working Speed: ..... 80 RPM
- Maximum Operating Temperature: ..... 100°C (212°F)
- Maximum Soft Solids Capability: ..... 25 mm (1")
- Maximum Hard Solids Capability: ..... 5 mm (3/16")
- Maximum Suction Lift on water: ..... 9 Metres (27 feet)
- Typical Weight (Varies with drive): ..... 155 Kg (341 lbs)

### Hose Materials

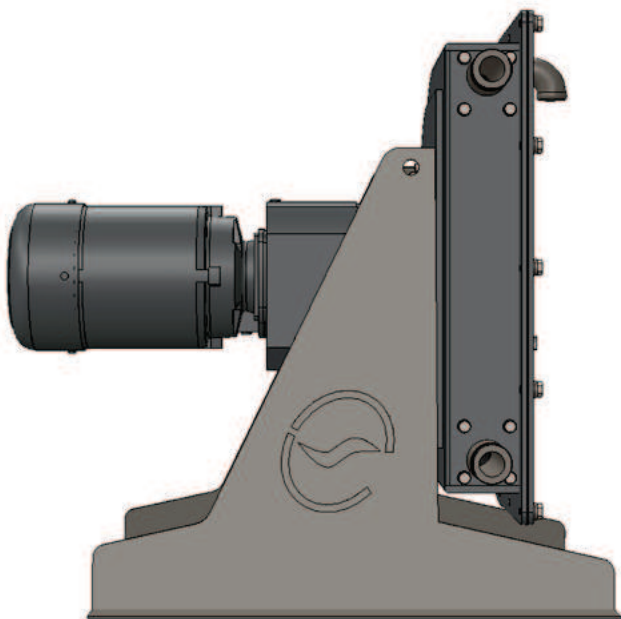
- Natural Rubber (Industrial and Food Grade)
- Nitrile Rubber (Industrial and Food Grade)
- EPDM Rubber (Industrial and Food Grade)
- CSPE Rubber
- Viton Rubber

### Hose Connections

- BSPm or NPTm (standard)
- Flange PN10/ANSI
- Sanitary Connections (Tri-Clamp, DIN)
- Any Connection Can Be Supplied on Request

### Hose Connection Materials

- 304 Stainless Steel (standard)
- 316 Stainless Steel
- Hastelloy-C

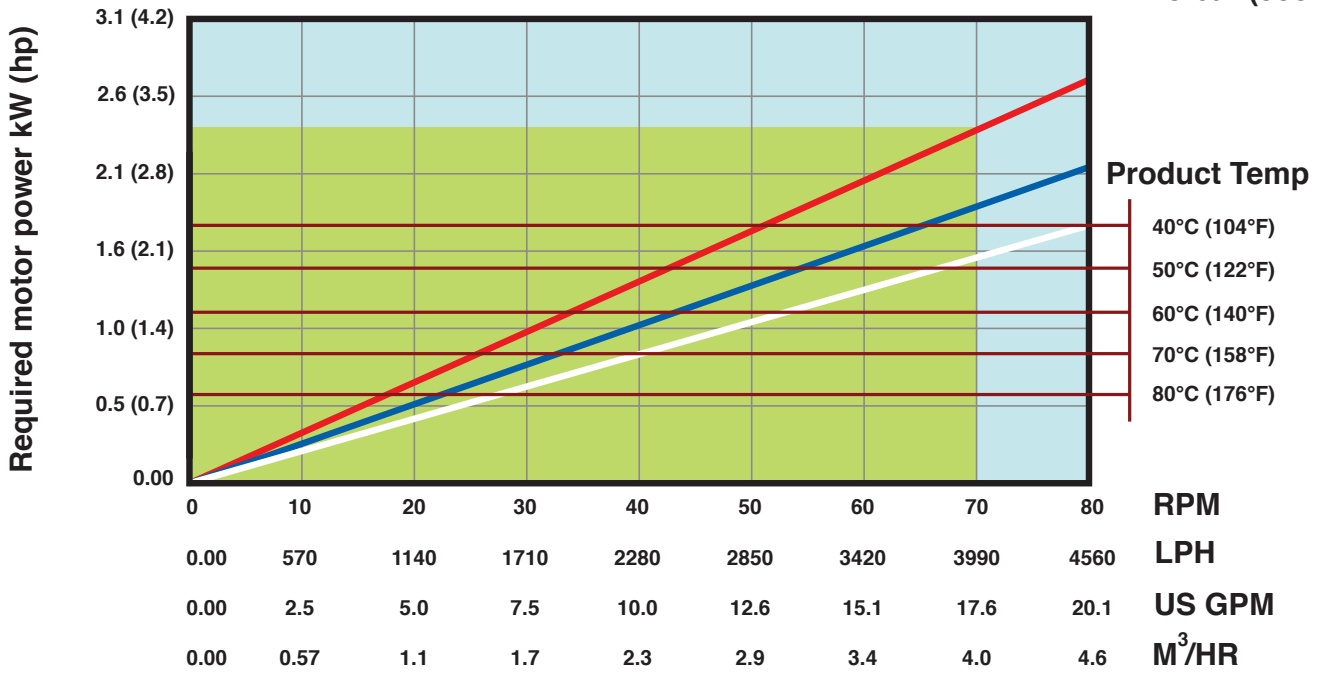


# ENVIROFLEX® - L32 (1 1/4")

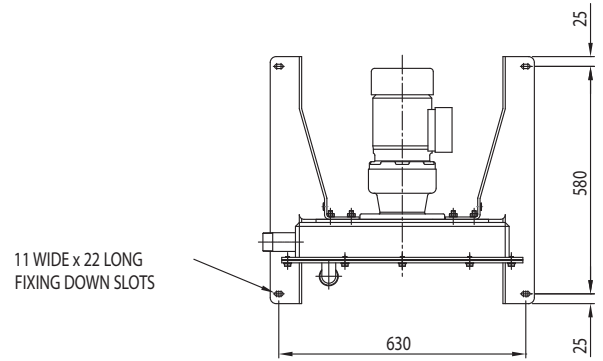
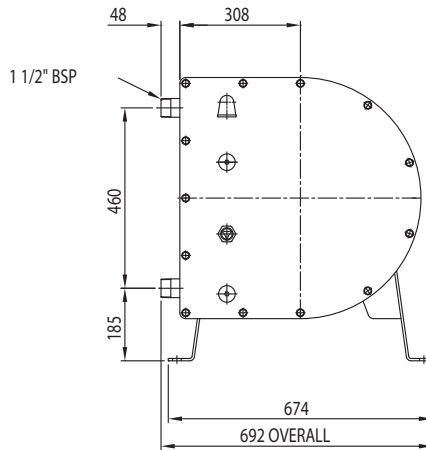
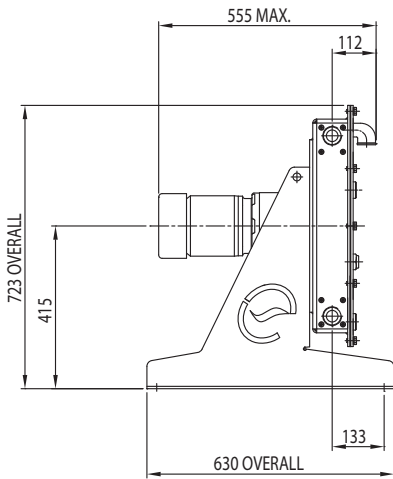
## SALES & ENGINEERING DATA SHEET

### Enviroflex® L32 Performance Curve

— 10 bar (1000 KPa)  
— 7.5 bar (750 KPa)  
— 5 bar (500 KPa)



Continuous duty  
 Intermittent duty  
 (maximum 1 hour operation followed by 20 minute rest)



Dims: Approx. mm

