

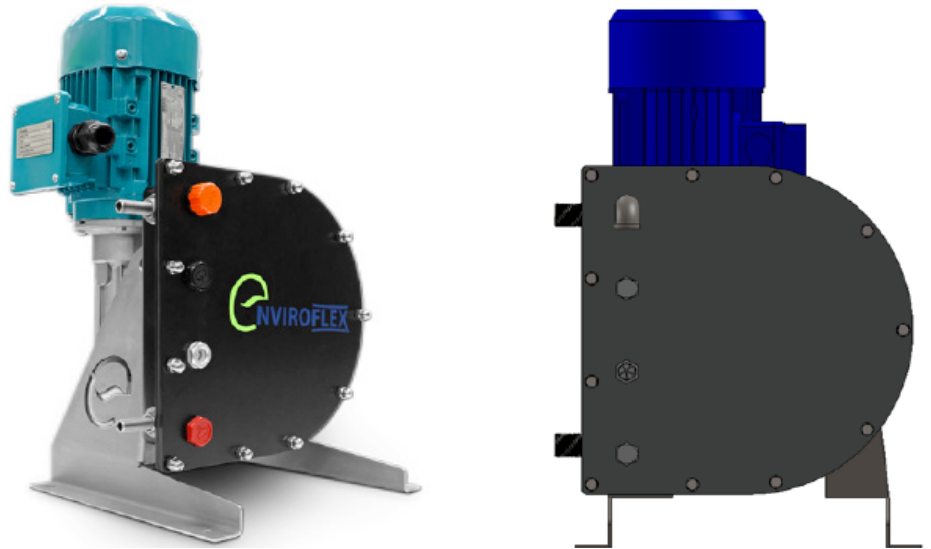
L15 Peristaltic Pump

www.enviroflexpumps.com | +44 (0) 1332 913 200 | sales@enviroflexpumps.com

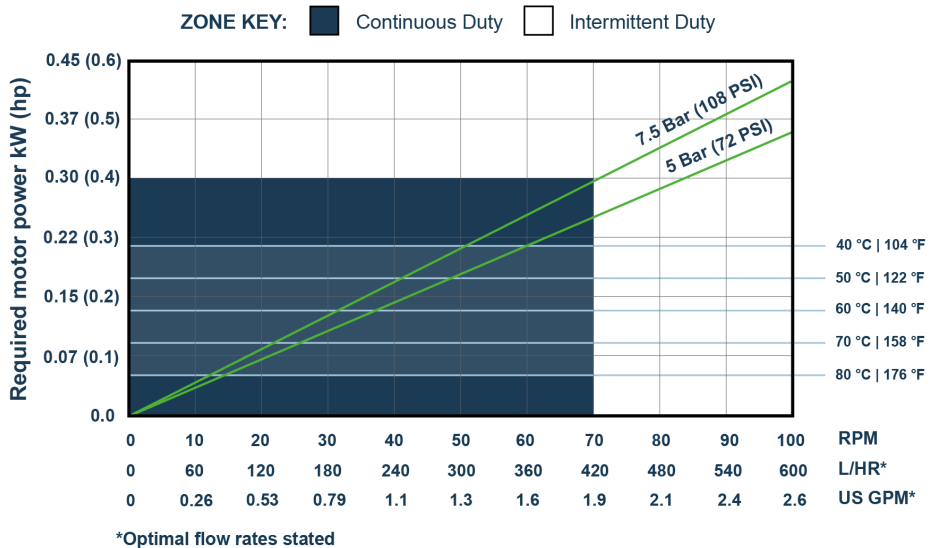


PUMP SPECIFICATIONS

- PUMP (HOSE) BORE
15mm (1/2")
- MAX WORKING PRESSURE
7.5 BarG (109 PSI)
- DISPLACEMENT PER REV
0.1 L/REV (0.026 US GAL/REV)
- MAX CONTINUOUS SPEED
70 RPM
- MAX INTERMITTENT SPEED
100 RPM
- SOLIDS HANDLING
Soft: 12mm (1/2") Hard: 2mm (1/8")
- MAX SUCTION LIFT (WATER)
9 Meters (27 Feet)
- AVERAGE STANDARD WEIGHT
30 KG (66 LB)



L15 PERFORMANCE CURVE



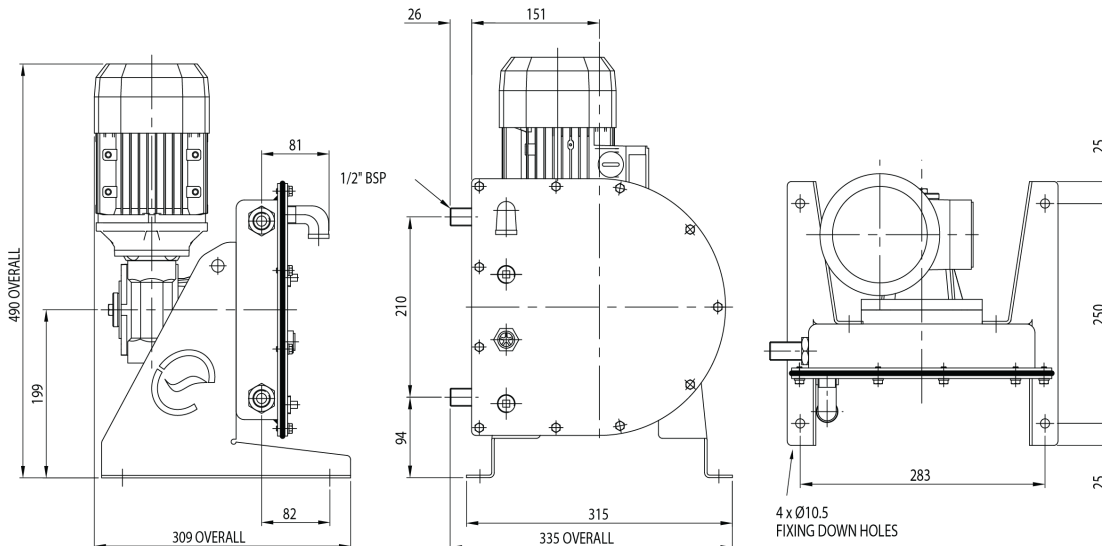
RUBBER HOSE MATERIALS

- Natural (NR)
- Food Grade Natural (FGNR)
- Nitrile Buna (NBR)
- Food Grade Nitrile Buna (FGNBR)
- Ethylene Propylene Diene Monomer (EDPM)
- Chlorosulfonated Polyethylene (CSM)
- Fluorine/Fluoro (FKM)

CONNECTION OPTIONS

- BSPT (standard)
- Tri-Clamp*
- ANSI Class 150 Flanged
- IDF
- PN16 Flanged
- RJT
- Camlock

GA DRAWING



**UK
CA**